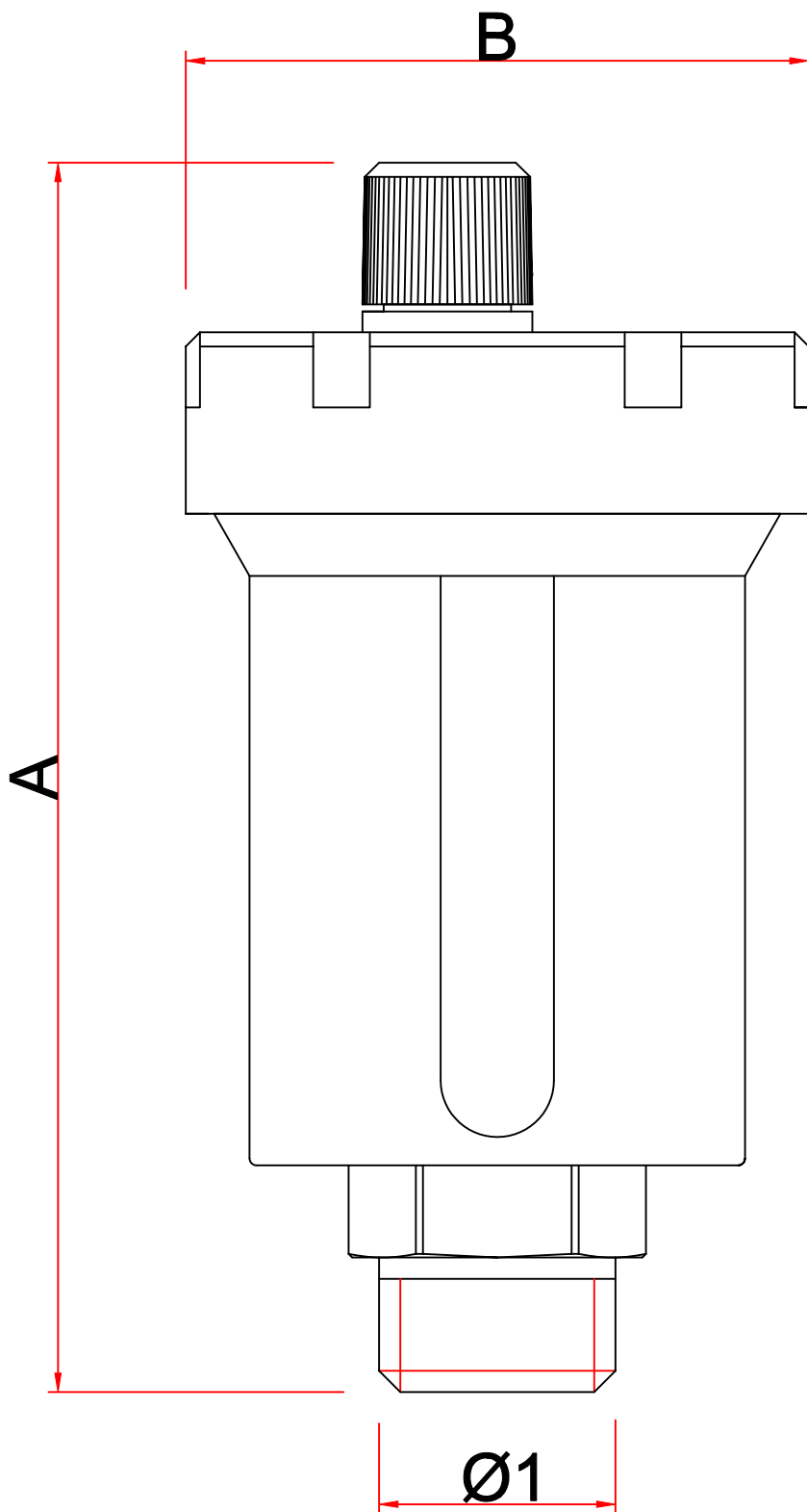


Art. 2045 - 2050



| Articolo | A | B | Ø1 |
|-------------------|----|----|------|
| 2045 14 - 2050 14 | 87 | 44 | G1/4 |
| 2045 38 - 2050 38 | 87 | 44 | G3/8 |
| 2045 12 - 2050 12 | 89 | 44 | G1/2 |