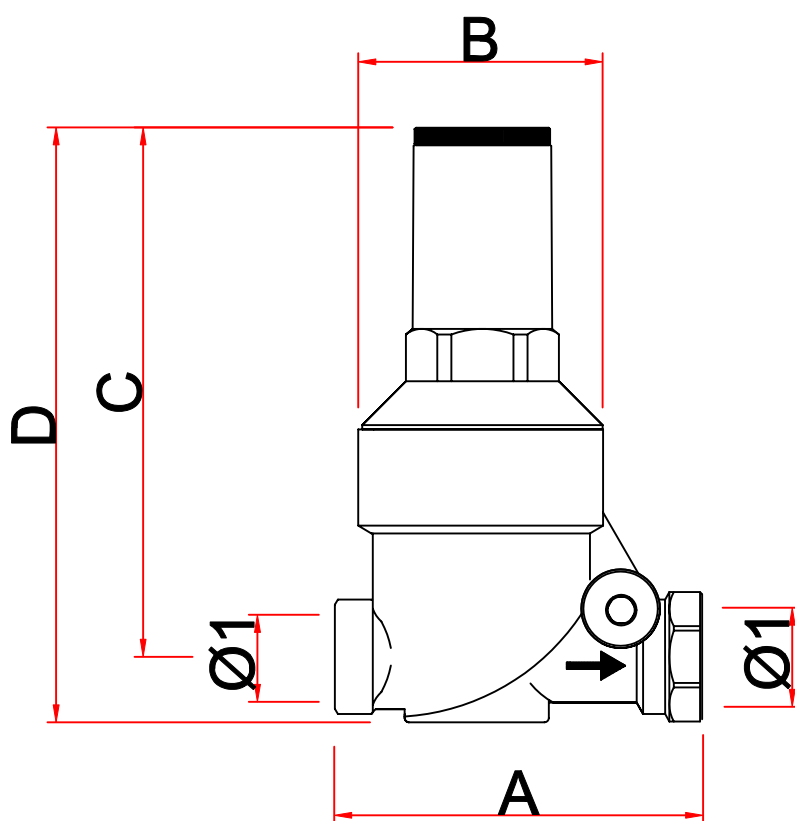


Art. 2840- 2850



Articolo	A	B	C	D	Ø1
2840 12 - 2850 12	84	56	121	137	G1/2
2840 34 - 2850 34	95	56	121	142	G3/4
2840 1 - 2850 1	104	68	158	185	G1