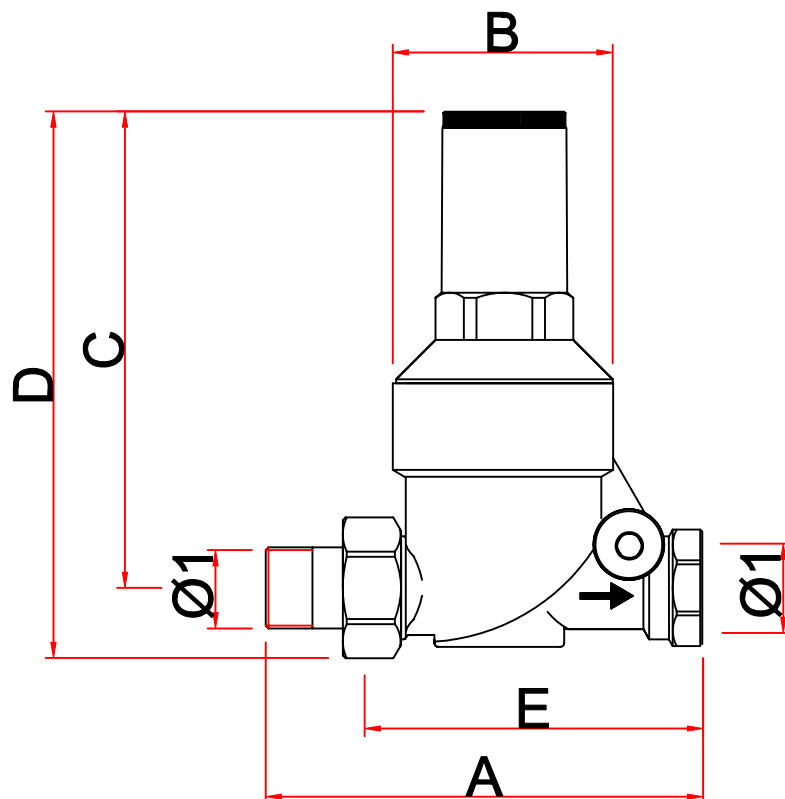


Art. 2820- 2830



Articolo	A	B	C	D	E	Ø1
2820 12 - 2830 12	113	56	121	137	85	G1/2
2820 34 - 2830 34	125	56	121	142	93	G3/4
2820 1 - 2830 1	140	68	158	185	104	G1