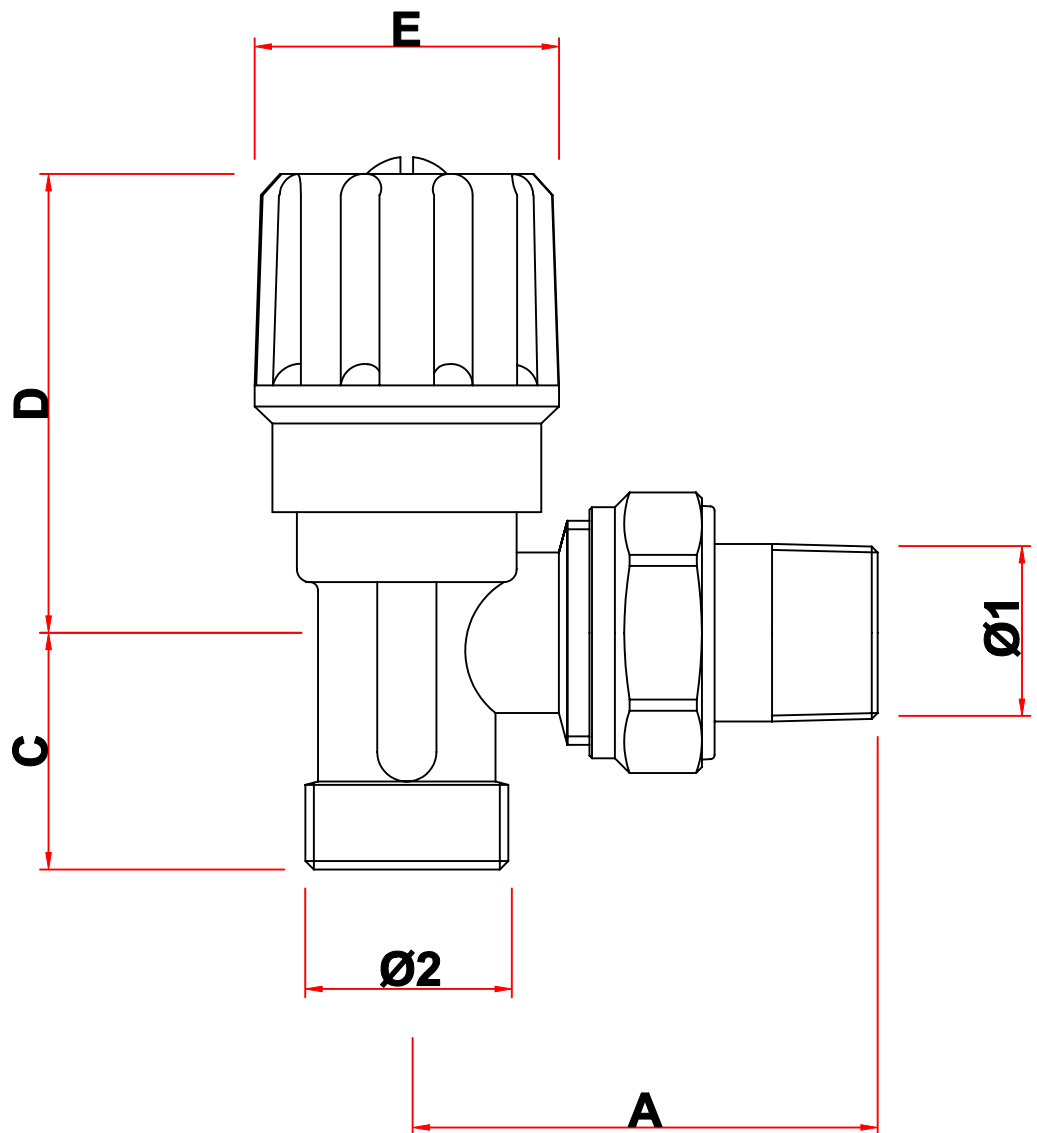


# Art. 1050



Articolo	A	C	D	E	Ø1	Ø2
1050 38	49	27	52	36	G3/8	24x19
1050 12	56	27	52	36	G1/2	24x19

Quote espresse in mm.