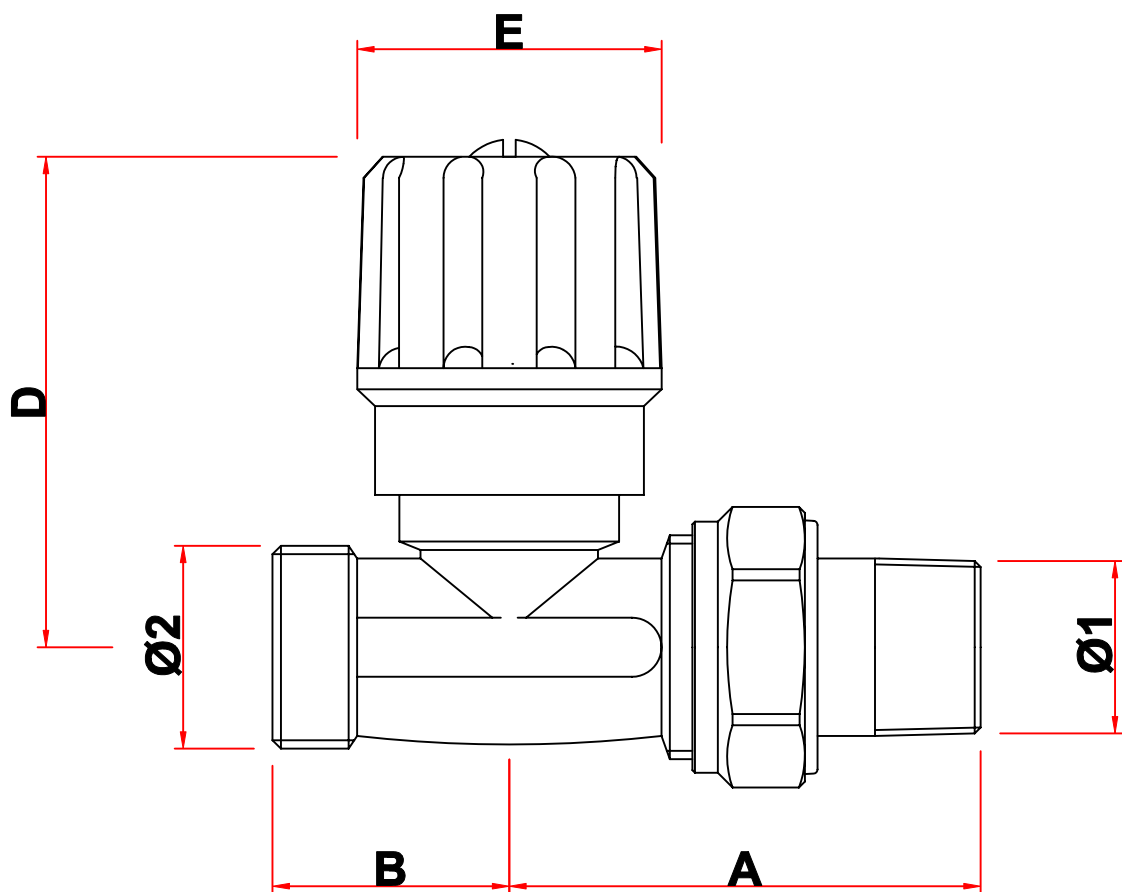


Art. 1250



Articolo	A	B	D	E	Ø1	Ø2
1250 38	51	28	56	36	3/8"	24x19
1250 12	57	28	57	36	1/2"	24x19

Quote espresse in mm.