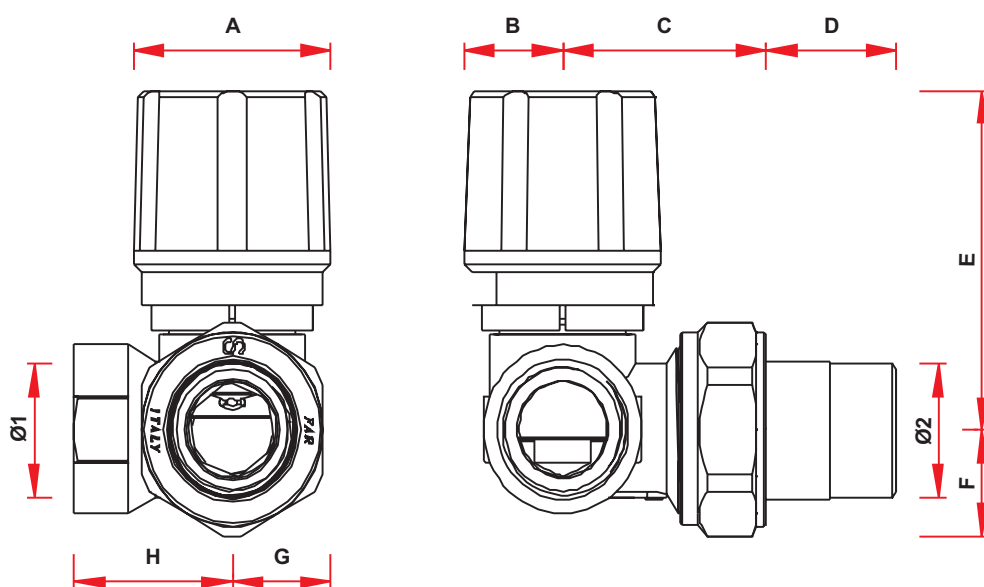




RUBINETTERIE S.p.A

SCHEDA DIMENSIONALE

ART. 1627



ARTICOLO	A	B	C	D	E	F	G	H	Ø1	Ø2
1627 12	32.5	16	33.5	21.5	52.5	16.5	16.5	26	G1/2	G1/2

Quote espresse in mm.