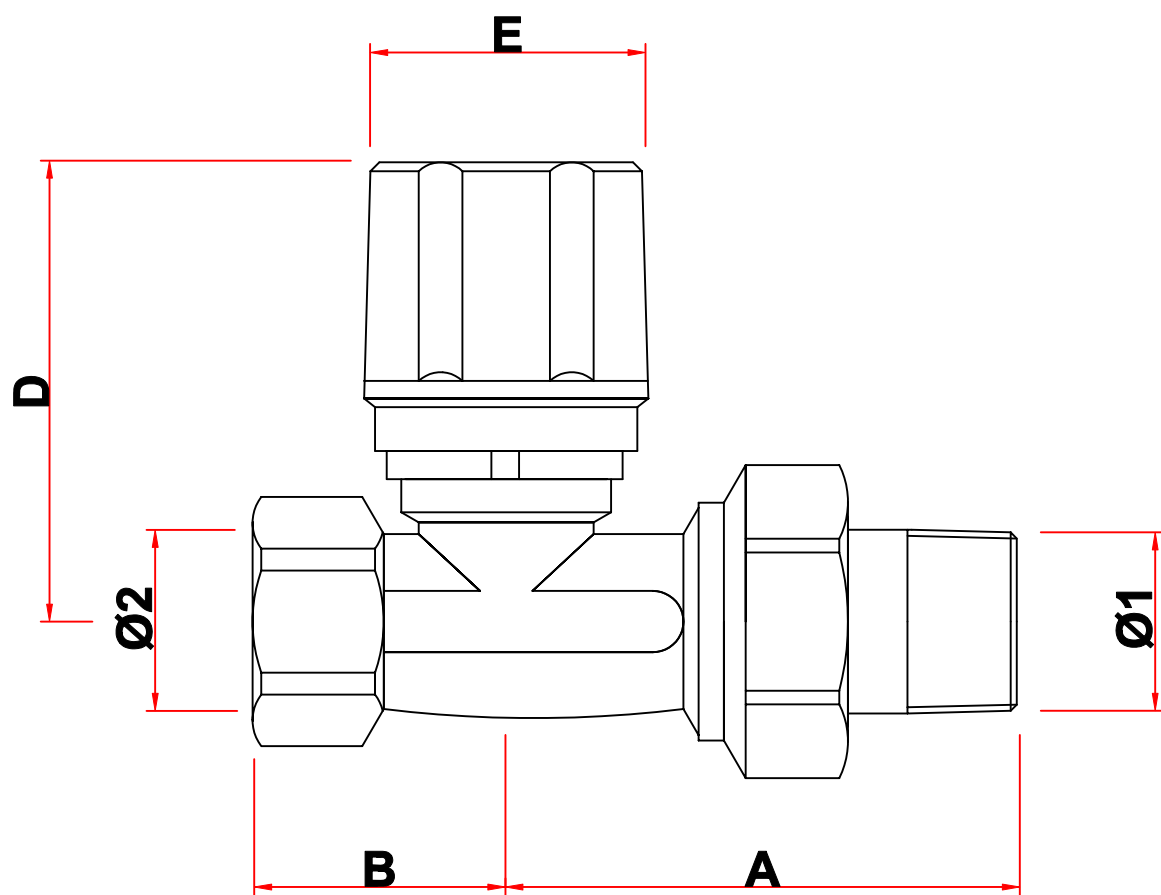


Art. 1640



Articolo	A	B	D	E	Ø1	Ø2
1640 38	50	25	50	32,5	3/8"	3/8"
1640 12	59	29	51	32,5	1/2"	1/2"
1640 34	67	33	54	32,5	3/4"	3/4"

Quote espresse in mm.